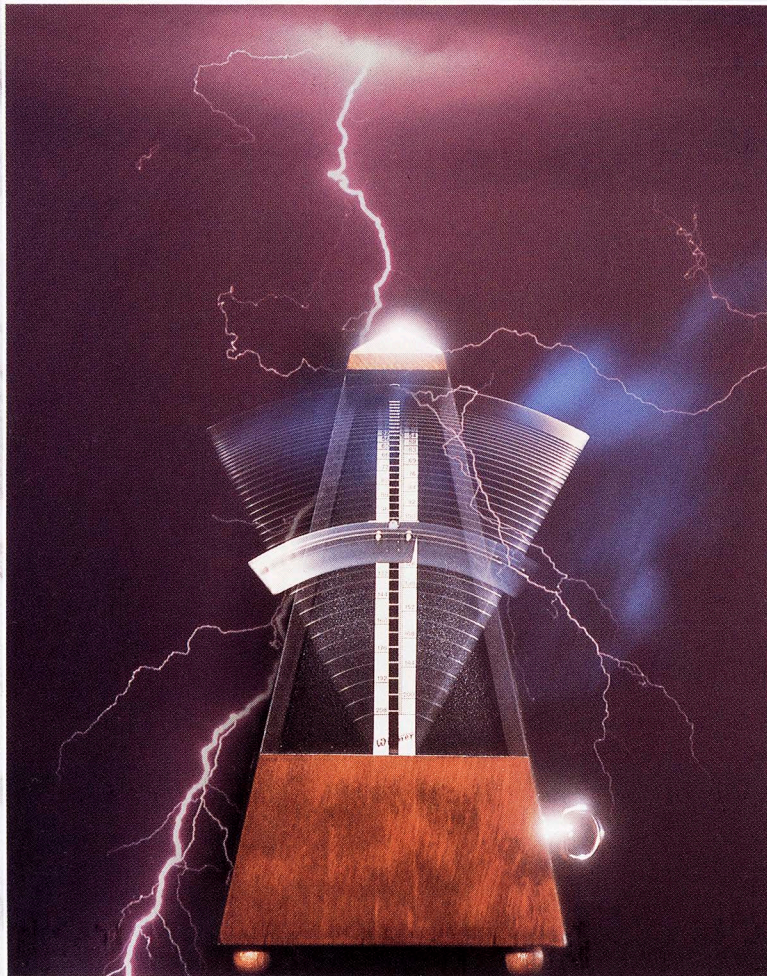


**ZEUS™ ADVANCED VIDEO PROCESSOR.
UNCOMPROMISED PERFORMANCE
AND CREATIVE FLEXIBILITY TOO!**



AMPEX

THE ZEUS™ PROCESSOR ESTABLISHES NEW STANDARDS IN TYPE C VIDEO AND CREATIVE FLEXIBILITY TRANSPARENCY

THE EMMY AWARD WINNING Zeus Advanced Video Processor, when integrated with any Ampex Type C studio VTR, provides revolutionary improvements in the quality and production flexibility of videotape recording.

Production and post-production facilities especially appreciate the superb video processing and greater creative video control capabilities of the Zeus. Its unique ability to extend practical multi-generation limits of the Type C recording improves their product, and saves them time and money.

The Zeus processor is the first system to eliminate the picture bounce or blur previously associated with video correction in variable

speed playback, slow-motion editing and time compression/expansion operations. Superior design insures the very best variable speed picture quality with even the most demanding video.

Key Features:

- No compromise 4Fsc, 9-bit digital system
- Drift and adjustment-free velocity compensation dramatically improves compensation accuracy and multi-generation video performance
- Exclusive frame averaging velocity compensation function reduces head impact error visibility
- Superior spatial-averaging dropout compensation
- Exclusive Multi-Gen Setup mode greatly improves multi-generation video performance
- Unique Decode mode allows replay of non-color framed edits with no picture shift
- Video time compression and expansion with no picture bounce or blur
- Full frame storage on command
- Comprehensive interface with VPR-3 menu control system
- Available full-function serial remote control panel
- Dual, time-share video inputs and optional Heterodyne VTR processing
- Available in NTSC, PAL, PAL/SECAM and PAL-M versions
- Compatible with all Ampex Type C studio VTRs, including the VPR-2 and VPR-2B



The Zeus video processor provides time compression/expansion without bounce or blur.

Zeus Advanced Video Processor version with local control panel (non-VPR-3 configuration).

ENGINEERING EXCELLENCE TO MEET YOUR NEEDS

AN INNOVATIVE, STATE-of-the-art system architecture gives the Zeus Advanced Video Processor the power to deliver both uncompromised video performance and new levels of creative flexibility. Among the many Zeus attributes that combine to achieve this are:

Processing Transparency

The Zeus system uses $4 \times F_{sc}$ A/D sampling, with a 9-bit dynamic range, to provide exceptional bandwidth, linearity and signal-to-quantizing noise ratio for transparent signal processing.

Velocity Compensation

Velocity error measurement is taken from off-tape burst after the video has been digitized, with accuracy to a fraction of a degree. This precisely measured error is immediately applied to the A/D clock, forming a closed loop feedback system. Thus, the system continually monitors itself for residual errors, and corrects them.

Head impact errors are corrected by the exclusive Zeus frame averaging velocity compensation. This system achieves a reduction of impact error amplitude by approximately 10 dB, or a

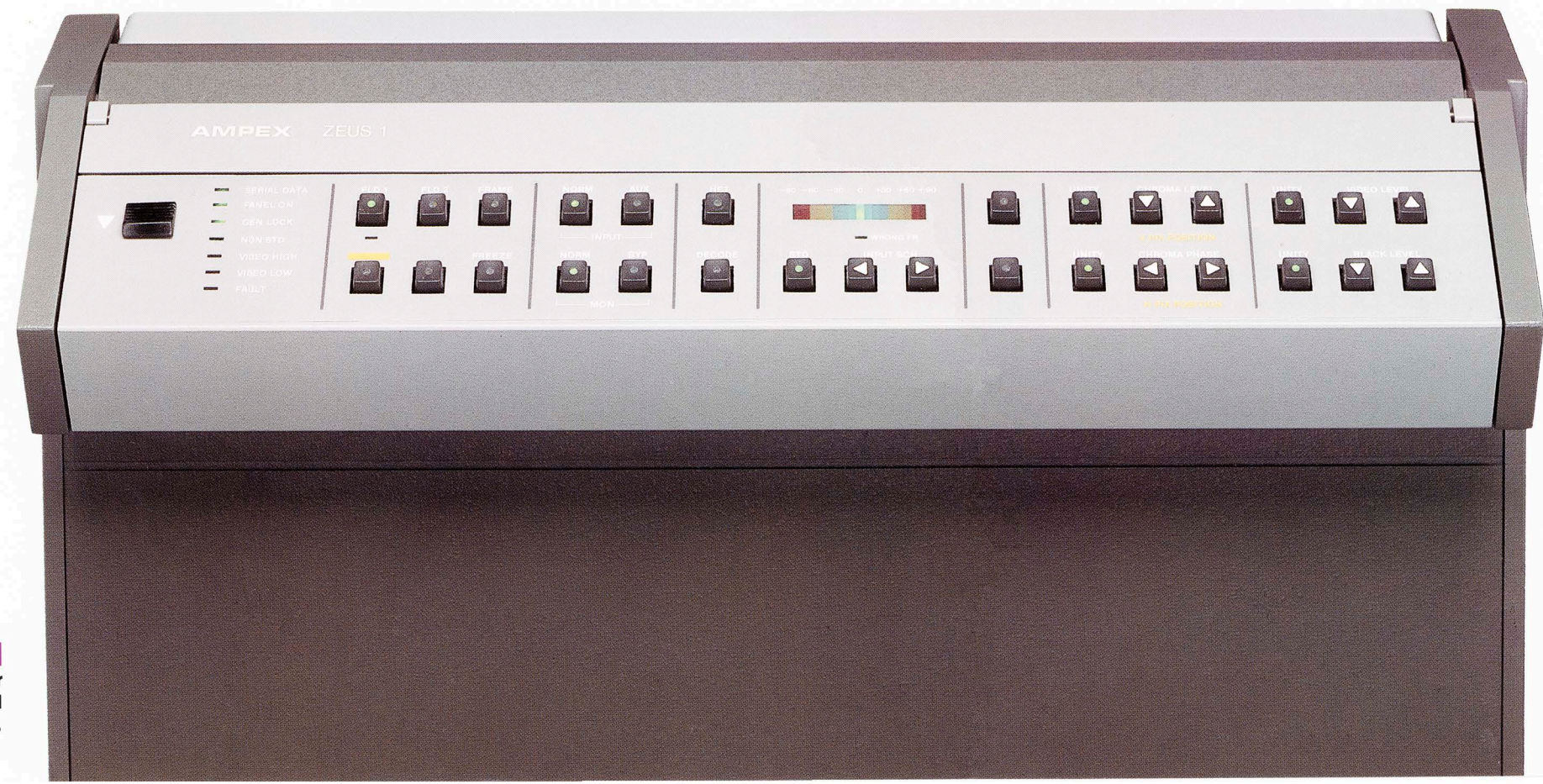
three times reduction in visibility.

Dropout Compensation

A superior spatial-averaging dropout compensation technique is employed that analyzes video information around the missing dropout video to produce an optimum, transparent, video replacement

Multi-Generation Setup

Multi-generation video performance degradation only significantly exhibits itself when it's too late to fix it — in the finished product.



The Zeus video processor, integrated with a VPR-3 or VPR-6, provides an exclusive Multi-Gen Setup mode which helps eliminate operational setup errors — major contributors to multi-generation performance degradation.

Decode Mode

When the Zeus Decode mode is activated, an adaptive digital comb filter decoder is inserted into the digital video path. This decoder corrects the off-tape SCH inversions of non-color framed edits, totally eliminating normally expected horizontal picture shifts.

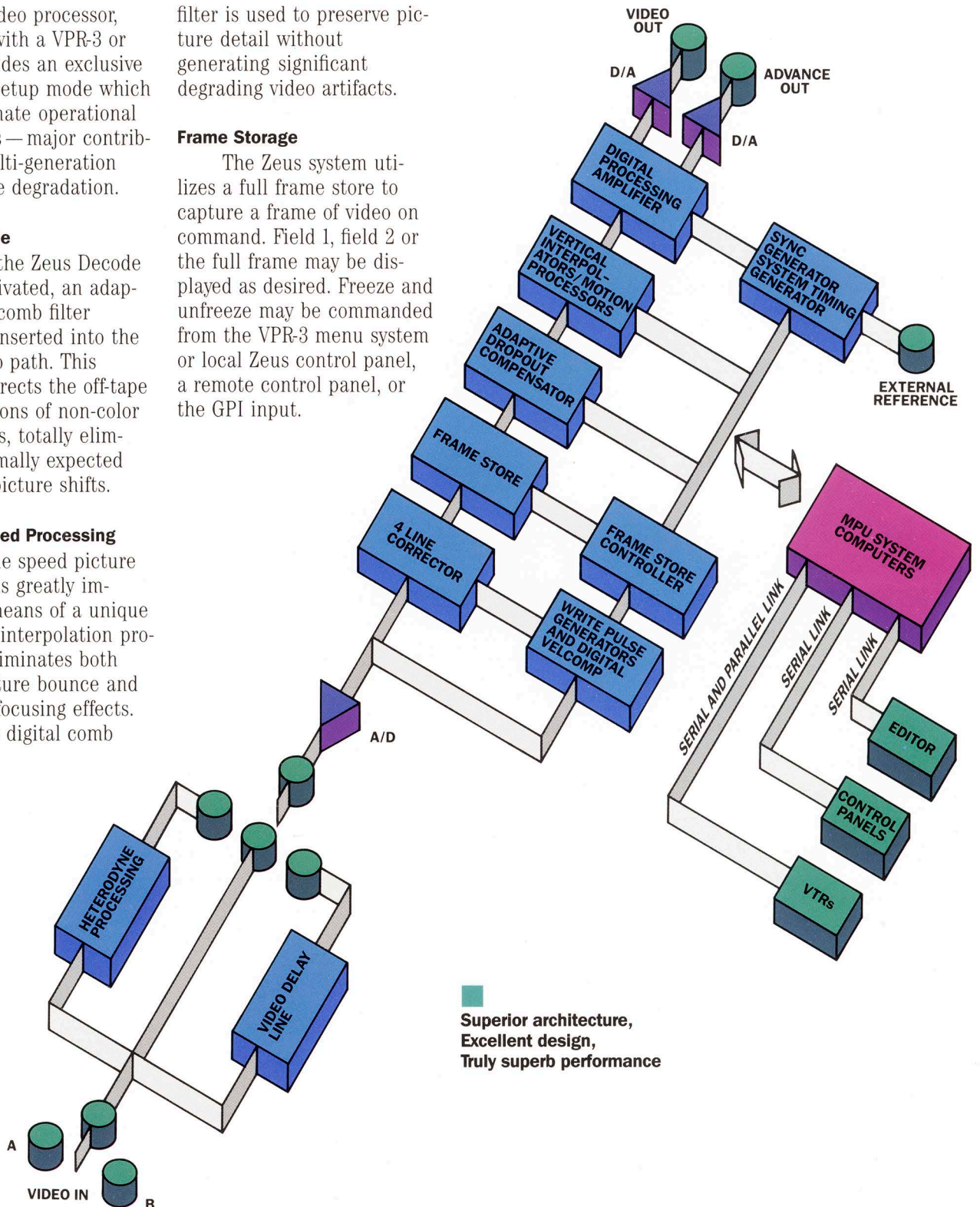
Variable Speed Processing

Variable speed picture processing is greatly improved by means of a unique line-by-line interpolation process that eliminates both vertical picture bounce and periodic defocusing effects. An adaptive digital comb

filter is used to preserve picture detail without generating significant degrading video artifacts.

Frame Storage

The Zeus system utilizes a full frame store to capture a frame of video on command. Field 1, field 2 or the full frame may be displayed as desired. Freeze and unfreeze may be commanded from the VPR-3 menu system or local Zeus control panel, a remote control panel, or the GPI input.



■ Superior architecture,
Excellent design,
Truly superb performance

ZEUS SPECIFICATIONS

| GENERAL | NTSC/PAL-M 525/60 | PAL/SECAM 625/50 |
|---|---|--|
| Digital Sampling Frequency: | 4Fsc (14.3 MHz) | 4Fsc (17.7 MHz) |
| Quantizing Levels: | 512 (9 bits) | 512 (9 bits) |
| Size: | 19" (483 mm)W × 11" (279 mm)H × 23 1/4" (590 mm)D | 19" (483 mm)W × 11" (279 mm)H × 23 1/4" (590 mm)D |
| Weight: | less than 80 lbs. (36 kg) | less than 80 lbs. (36 kg) |
| Power Requirements: | less than 750 watts 90 – 142 VAC, 47 – 63 Hz | less than 750 watts 180 – 284 VAC, 47 – 63 Hz |
| Operating Environment: Temperature Humidity | 0° to 45° C (32° – 113° F) 10 – 90% RH (non-condensing) | 0° to 45° C (32° – 113° F) 10 – 90% RH (non-condensing) |
| VIDEO SIGNAL PERFORMANCE | | |
| Bandwidth: | Flat (± 0.2 dB) to 5.0 MHz | Flat (± 0.2 dB) to 6.0 MHz |
| Signal-To-Noise Ratio: (P-P Video to RMS Noise, unweighted) | Better than – 58 dB | Better than – 58 dB |
| Differential Gain ² : Differential Phase ² : | < 2% < 2° | < 2% < 2° |
| Transient Response (2T Pulse and Bar): | < 1% K Factor | < 1% K Factor |
| Chrominance/Luminance Delay: | < 10 nsec. | < 10 nsec. |
| Chrominance/Luminance Crosstalk ³ : | < 1.0% | < 1.0% |
| TIME BASE PERFORMANCE | | |
| Correction Range (Window) | 60 television lines | 60 television lines |
| Digital Memory Size: | 1 television frame | 1 television frame |
| Output Jitter ⁴ : Monochrome: Color: | < ± 10 nsec. < ± 2.5 nsec. | < ± 10 nsec. < ± 2.5 nsec. PAL, < ± 10 nsec. SECAM |
| Slow Motion Range: (limited by VTR) | – 1 to + times play speed, full color recovery | |
| Shuttle Range Monochrome: Color: | from 20 to 50 times play speed up to 20 times play speed ((VTR model dependent) | |
| Color Gen-Lock Stability: | Better than 0.2° | |
| Sync Generator Frequency Tolerance: | 0.005% (No external reference) | |
| INPUT SIGNALS | | |
| Tape Video: | 1 V, P-P, + 3.0 dB – 6.0 dB Composite Video (75 Ohms) | |
| Het/Aux Video: | 1 V, P-P, + 3.0 dB Composite Video (75 Ohms) | |
| Reference Video: | 1 V, P-P, ± 6.0 dB Composite Video or Black-burst, (Loop-through) | |
| General Purpose Interface: | Freeze start, Freeze stop | |
| OUTPUT SIGNALS | | |
| Video Output (1): (2): | 1 V P-P Composite (75 Ohms) 1 V P-P Composite (75 Ohms) or non-composite | |
| Sync-Coherent S.C.: | 2 V P-P sine wave at S.C. frequency when terminated into 75 Ohms. (Heterodyne processor accessory must be installed) | |
| VTR Advanced Reference (1 & 2): | Standard level black-burst signal when terminated into 75 Ohms. 28 lines in advance of reference. Fixed SCH phase | |
| Advanced Drive: | Composite sync or vertical drive (internally selectable) – 4 V P-P when terminated into 75 Ohms. 28 lines in advance of reference | |
| OUTPUT ADJUSTMENT RANGE | | |
| Output Video Level: | From black to +3.0 dB of unity | |
| Chroma Level: | From zero chroma to +3.0 dB of unity | |
| Black Level: | – 10 to +10 IRE | |
| Pedestal: | 0 to – 11 IRE (determines operating point of black clipper) | |
| Chroma Phase: | ± 20 degrees | |
| System S.C. Phase: | 360°, continuous at the same time moving output sync phase in 0.25° of S.C. increments ⁵ | |
| System Sync Phase: | 42 cycles of S.C. early, to 21 cycles of S.C. late | |
| System Output Sch Phase: | ± 180° of standard Sch phase | |
| Horizontal Picture Position: | ± 4.5 cycles of S.C. (1/2 cycle increments with Decode on; full cycle increments of Decode off) ⁵ | |
| Vertical Picture Position: | ± 2 horizontal lines ⁵ | |

¹ System signal-to-noise ratio is determined from the degradation to input signal-to-noise ratio. That is, 47 dB VTR S/N = 46.67 dB at Zeus output. This reflects a Zeus signal-to-noise ratio of 58 dB.

² Defined as degradation of the differential gain or phase of the input signal, measured using a subcarrier modulated ramp with subcarrier amplitude equal to that of burst.

³ Measured with 0 to 70% chrominance subcarrier signal superimposed on a 50% APL luminance pedestal.

⁴ Residual output error is directly dependent on the S/N of the input signal. Specification based on an input S/N of 47 dB.

⁵ Not applicable to SECAM.

Amplex reserves the right to make product and specification changes at any time without notice.

FOR INFORMATION ON AMPEX BROADCAST VIDEO PRODUCTS CONTACT THE VIDEO SALES MANAGER NEAREST YOU.

CALIFORNIA
(415) 367-2202
Redwood City
(818) 365-8627
San Fernando
GEORGIA
(404) 491-7112
Atlanta
ILLINOIS
(312) 593-6000
Arlington Heights

MARYLAND
(301) 530-8800
Bethesda
NEW JERSEY
(201) 825-9600
Allendale
(212) 947-8633
New York
TEXAS
(214) 960-1162
Carrollton

UTAH
(801) 487-8181
Salt Lake City
WASHINGTON
(206) 251-8682
Kent
AUSTRALIA
(008) 023124
North Ryde, NSW

BELGIUM
067/214921
Nivelles
BRAZIL
(021) 541-4137
Rio de Janeiro
CANADA
(416) 821-8840
Mississauga, Ont.
COLOMBIA
236-4659
Bogota

FRANCE
(01) 4270-5500
Paris
W. GERMANY
(069) 60580
Frankfurt (Main)
HONG KONG
3-678051
Kowloon
ITALY
(06) 55461
Rome

JAPAN
(03) 767-4521/2/3
Tokyo
MEXICO
554-9255
Mexico, D.F.
NETHERLANDS
030-612921
Utrecht
SPAIN
(91) 241-0919
Madrid

SWEDEN
08/28 29 10
Sundbyberg
SWITZERLAND
(037) 81.31.11
Fribourg
UNITED KINGDOM
(0734) 875200
Reading, Berks.
VENEZUELA
782-3255
Caracas

ZEUS PORT

D2 DIGITAL OUTPUT INTERFACE FOR THE ZEUS™ ADVANCED VIDEO PROCESSOR

The Type C to D2 Digital Link

- Zeus Port: a new output interface for the Ampex Zeus advanced video processor.
- Zeus Port eliminates the additional digital-to-analog and analog-to-digital (D/A and A/D) conversion steps normally required for transfer, thus fully maintaining the highest quality Type C signal.
- Zeus Port is an exclusive for the Zeus advanced video processor and Ampex Type C VPRs.

User Benefits

Unsurpassed Performance. Direct digital dubbing from an Ampex Type C VTR to a D2 machine — such as the Ampex VPR-300 — provides the optimum performance between the current analog program interchange format, Type C, and the digital program interchange format of the future, D2.

Enhancement of Your Type C Investment

Ampex has always valued our customers' investment in our products. As such, product design has always considered upgrade paths for our users.

Why Only Zeus?

Unlike other high quality conventional time base correctors, the Zeus advanced video processor executes complete line-by-line correction of time base errors, including full velocity error correction, at the input before the video data is written into memory. Thus the digital video data read out of memory is free of timebase errors. (See Figure 1.)

Other time base correctors perform correction at the inputs, however, residual velocity errors exist within the TBC until correc-

tion in the final D/A stage. This is accomplished by measuring the residual velocity error taken at the input and modulating the video D/A Converter clock, at the output of the TBC, thus modifying the timing of the analog video signal. (See Figure 2.)

This action results in the final velocity error correction being done during the digital to analog conversion process.

The parallel digital video data used in the D2 format must be completely free of timebase errors. Based on the above description, Zeus is the only timebase corrector that can provide such data.

The D2 digital interface standard requires that sync, burst, and blanking be present in the digital data stream. The Zeus processor integrates all reference signals with

Figure 1
Zeus
Advanced Video Processor

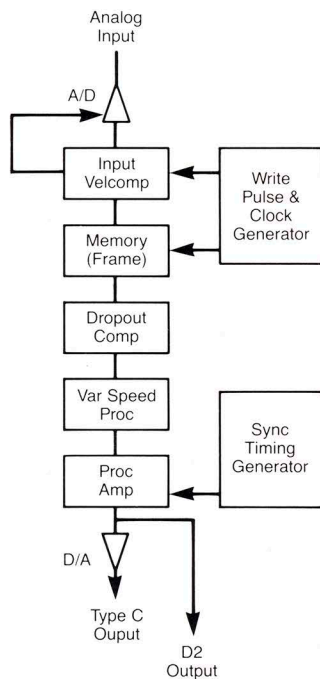
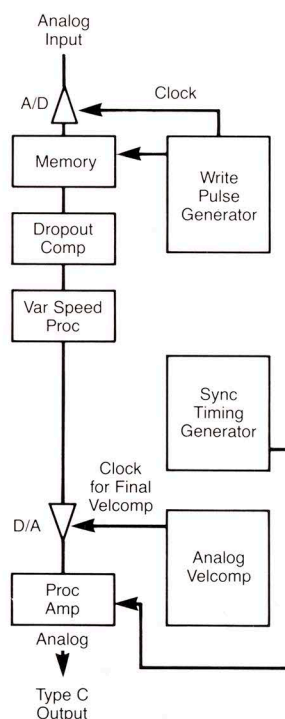


Figure 2
High Quality
"Digital" TBC



the corrected video signal in the digital domain, before digital to analog conversion takes place.

Installation

Zeus Port can be installed by your technical staff in about six hours. Installation assistance is available through your Ampex Field Office at current field service rates.

Ordering Information

Any Ampex Type C recorder can be equipped with a D2 composite digital format output by field upgrading its Zeus processor.

NTSC 525 Part No. 1480190
for Tape Clock 2 #1472668

NTSC 525 Part No. 1480187
for Tape Clock 2 #1430158

PAL-M 525 Part No. 1480181

PAL 625 Part No. 1480184

FOR INFORMATION ON AMPEX BROADCAST VIDEO PRODUCTS CONTACT THE VIDEO SALES MANAGER NEAREST YOU.

CALIFORNIA
(415) 367-2202
Redwood City
(818) 365-8627
San Fernando
COLORADO
(303) 423-1300
Wheat Ridge
GEORGIA
(404) 491-7112
Atlanta

ILLINOIS
(312) 593-6000
Arlington Heights
MARYLAND
(301) 530-8800
Bethesda
NEW JERSEY
(201) 825-9600
Allendale
(212) 947-8633
New York

TEXAS
(214) 960-1162
Carrollton
WASHINGTON
(206) 251-8682
Kent
AUSTRALIA
(008) 023124
North Ryde, NSW

BELGIUM
067/214921
Nivelles
BRAZIL
(021) 541-4137
Rio de Janeiro
CANADA
(416) 821-8840
Mississauga, Ont.
COLOMBIA
236-4659
Bogota

FRANCE
(01) 4270-5500
Paris
W. GERMANY
(069) 60580
Frankfurt (Main)
HONG KONG
3-678051
Kowloon
ITALY
(06) 500971
Rome

JAPAN
(03) 767-4521/2/3
Tokyo
MEXICO
554-9255
Mexico, D.F.
NETHERLANDS
030-612921
Utrecht
SPAIN
(91) 241-0919
Madrid

SWEDEN
08/28 29 10
Sundbyberg
SWITZERLAND
(037) 21.86.86
Fribourg
UNITED KINGDOM
(0734) 875200
Reading, Berks.
VENEZUELA
782-3255
Caracas